

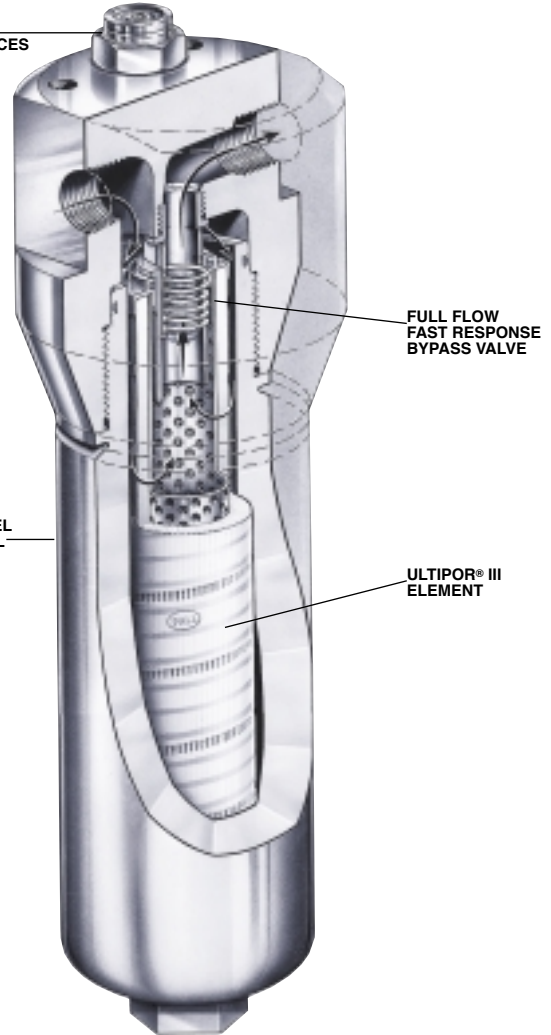
9050/51 Series Filter Assemblies

Flows to 20 gpm (75 L/min)
Pressures to 10,000 psi (690 bar)
Port sizes $\frac{3}{8}$ " , $\frac{1}{2}$ " , and $\frac{3}{4}$ "
Stainless Steel

Notes and Specifications

Maximum Acceptable Working Pressure:	10,000 psi (690 bar) 14,500 psi (1000 bar) YA15 version
Fatigue Pressure Rating:	Contact factory
Typical Burst Pressure:	45,000 psi (3100 bar) 58,000 psi (4000 bar) YA15 version
Temperature Range:	Nitrile seals – 45°F to 225°F (–43°C to 107°C) Fluorocarbon seals – 20°F to 250°F (–27°C to 121°C) 140°F (60°C) maximum in HWCF or water-glycol fluids
Dry Weights:	R length– 19lbs. (8.7 kg) S length– 30lbs. (13.5 kg)
Filter Element Collapse Pressure:	9020–290 psid (20 bar) 9021–3000 psid (207 bar)

OPTIONAL
DIFFERENTIAL
PRESSURE DEVICES



Pressure Drop Information

Figure 1. Housing Pressure Drop using fluid with 0.9 S.G. Housing Pressure drop is directly proportional to specific gravity.

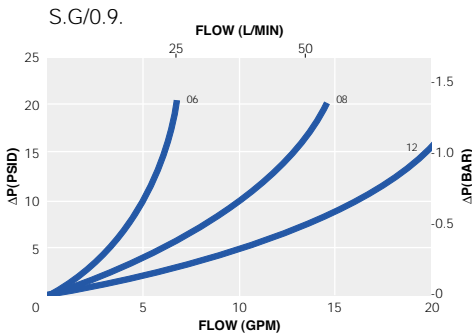
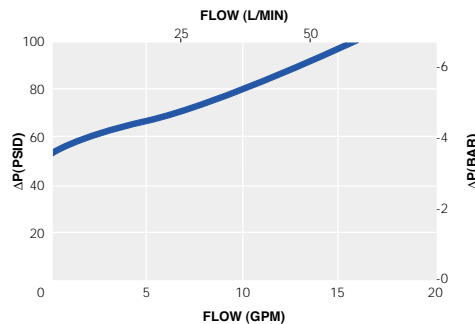


Figure 2. Bypass Valve Pressure Drop using fluid with 0.9 S.G. Bypass valve pressure drops are directly proportional to specific gravity, viscosities by multiplying new viscosity in



Element Pressure Drop Factor.

Multiply actual flow rate times factor to determine pressure drop with fluid at 150 SUS (32 cSt), 0.9 S.G. Correct for other SUS/150 x new

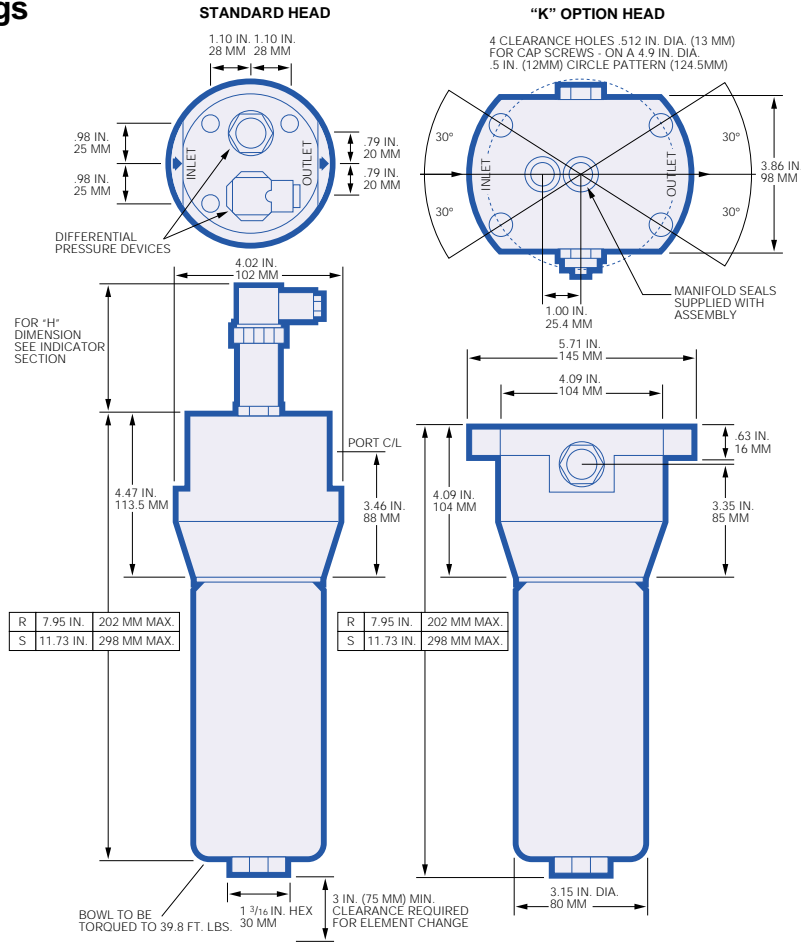
9020 Series Element ΔP factor (psid/gpm)

Length	KZ	KP	KN	KS	KT
4"	1.90	0.82	0.54	0.35	0.21
8"	0.96	0.41	0.27	0.18	0.11

9021 Series Element ΔP factor (psid/gpm)

Length	DP	DT
4"	2.71	0.68
18"	1.35	0.34

Dimensional Drawings



9050/51 SERIES
10,000 PSI/20 GPM

Ordering Information

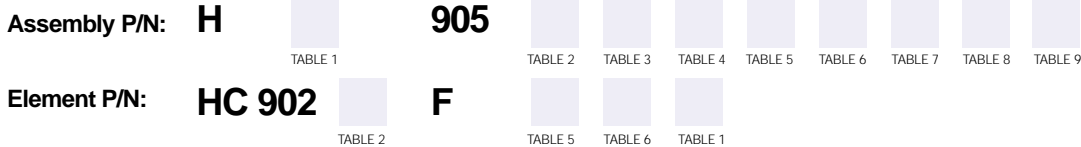


Table 1. Seal Options

Code	Seals
H	Nitrile
Z	Fluorocarbon

Table 2. Element Options

Code	Rating
0	290 psid
1	3000 psid

Table 3. Port Style Options

Code	Port Style
A*	SAE J514 straight thread
B*	NPT
V	Autoclave type
K	Manifold mount

* Not available for 1000 bar variant.

Table 4. Port Size Options

Code	Size	Style Availability
06	3/8"	B,V
18	1/2"	A,B,K
12	3/4"	A,B

Table 5. Filter Element Options

Code	$\beta_{x \geq 200}$	$\beta_{x(e)=1000}$
KZ	<1	2.5
KP	3	5
KN	6	7
KS	12	12
KT	25	22
DP*	3	5
DT*	17	15

*9051 only.
See page 17 for filter specifications.

Table 6. Length Options*

Assembly Code	Element Code**
R	4
S	8

* Use code in second column for element part no.

** Nominal length in inches

Table 7. Bypass Valve Options

Code	Description
B	50 psid bypass
W	Non bypass

Table 9. High Pressure Options

Code	Description
YA 15	14,500 psi max. pressure

Table 8. Differential Pressure Device Options

Code	Description
0	Unmachined indicator port
BH	Plug in place of indicator
PH	Visual indicator with thermal lockout
E	Visual indicator with no thermal lockout
LH	Electrical switch (SPDT) with 6" leads
TH	Electrical switch with DIN connector
MH	'TH' type switch with matching wiring cap
QH	Waterproof SPDT switch

See page 140.