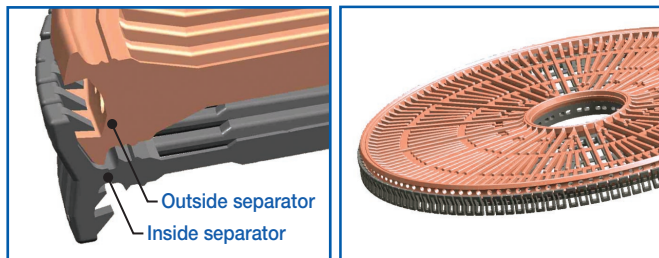


SUPRADisc filter modules provide a cost effective solution for off-line filtration in heavily contaminated hydraulic and lubricating fluids.

SUPRADisc II filter modules feature an innovative design incorporating a double separator concept, whereby the filter medium and separators are stacked on a central core and compressed to produce a stable high strength unit.

Benefits of SUPRADisc II modules

The unique separator design provides both upstream and downstream support of the filter medium. The medium is sealed inside a polypropylene cage assembly and is no longer exposed. The unique Clip-Seal Interlock and the welded design connects the outside to the inside separators resulting in an extremely robust design.



Patented separator design

Polypropylene cage assembly

Each sheet of filtration medium is individually sealed and separated. Depth sheets cannot come into contact with each other, eliminating blinding of the filter media. Due to the separator channels, SUPRADisc II modules have close to 100 % effective filtration area that is dimensionally stable during shipment and handling, filtration and removal.

- Improve fluid filterability properties
- Remove gel & colloids
- Remove free water (in small quantity)
- Retain fine contaminants at high loading rate.
- Remove varnish

Typical applications

- Hydraulic Function Testers
- Crushers, Gear boxes
- Oil recovery

SUPRADisc™ II Depth Filter Vessels SPV Series Filters



SUPRADisc II filter housings and module

Notes and Specifications

Filter Housing

Maximum Allowable Working Pressure Limits:

0-4 bar (0-58 psi)

Fluid Compatibility:

Compatible with all petroleum based fluids and most synthetic hydraulic and lubrication fluids

Temperature Range:

Nitrile Seals -43°C to 60°C (-45°F to 140°F)

Inlet/Outlet Connections:

2" BSP female threaded ports

Materials of Construction:

Stainless Steel (316L)

Filter Module

SUPRADisc II depth filter module 12" diameter

Maximum operating differential pressure : 2.4 bar (35 psid)

Material of Construction:

Medium: Cellulose, diatomaceous earth and/or perlite and synthetic polymers

Hardware: Polypropylene

Seals: Fluorocarbon

Ordering Information

Filter Housing

P/N: **SPV 1**

SUPRAdisc II Filter Module

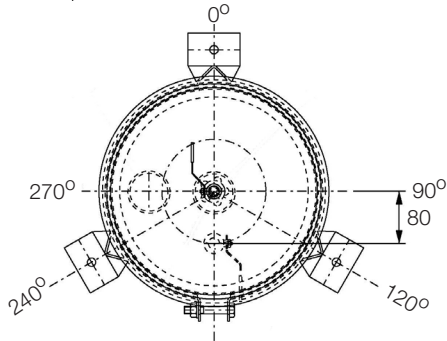
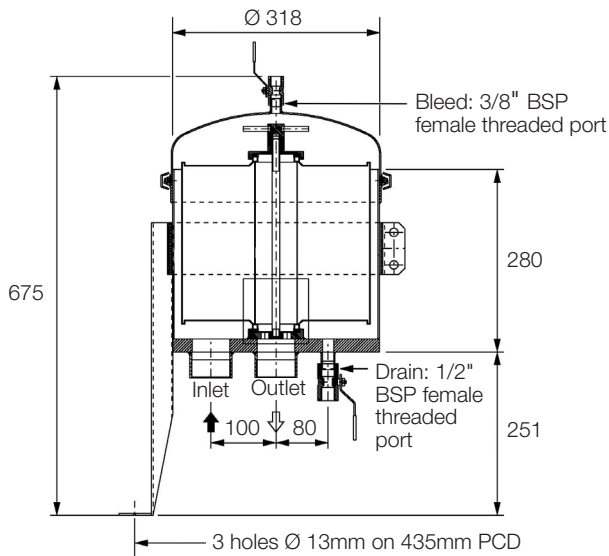
P/N: **200ME 2 C232VP**

Table 1	
Code	Number of modules
01	1
02	2

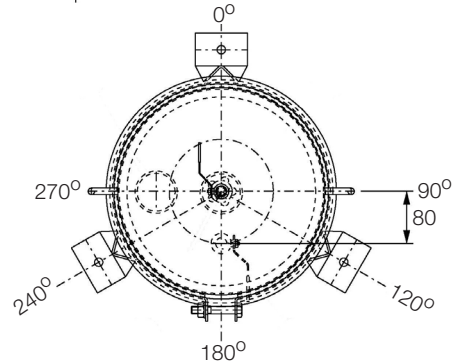
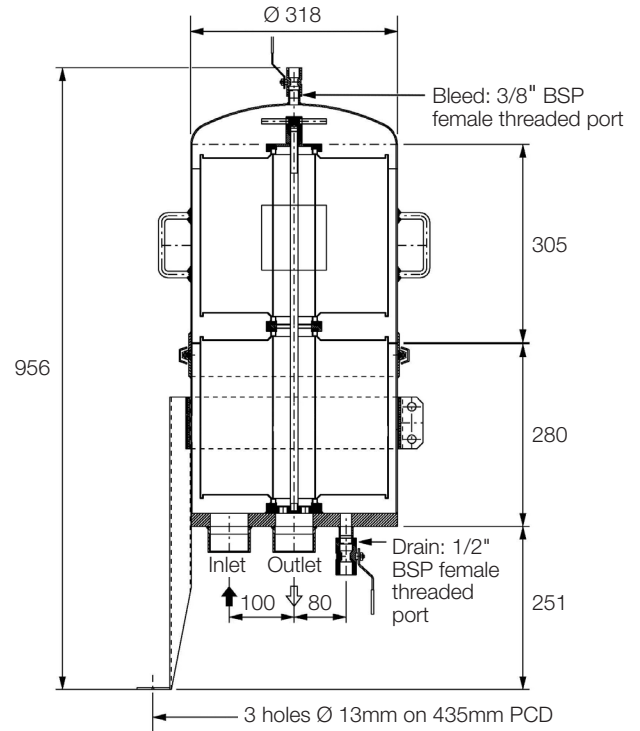
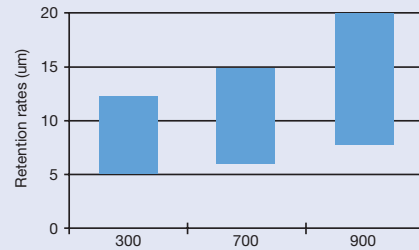
Table 2	
Code	Media ¹
30	300
70	700
90	900

¹other media available on request

Technical Specifications



Retention rate for depth filter modules



Pall Machinery and Equipment

25 Harbor Park Drive
Port Washington, NY 11050
+1 516 484 3600 telephone
+1 800 289 7255 toll free US

Portsmouth - UK
+44 (0)23 9233 8000 telephone
+44 (0)23 9233 8811 fax
industrialeu@pall.com

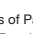
Filtration. Separation. Solution.SM



Visit us on the Web at www.pall.com

Pall Corporation has offices and plants throughout the world. For Pall representatives in your area, please go to www.pall.com/contact

Because of technological developments related to the products, systems, and/or services described herein, the data and procedures are subject to change without notice. Please consult your Pall representative or visit www.pall.com to verify that this information remains valid.

© Copyright 2013, Pall Corporation. Pall, SUPRAdisc and  are trademarks of Pall Corporation. ® indicates a trademark registered in the USA. ENABLING A GREENER FUTURE and Filtration. Separation. Solution.SM are service marks of Pall Corporation.