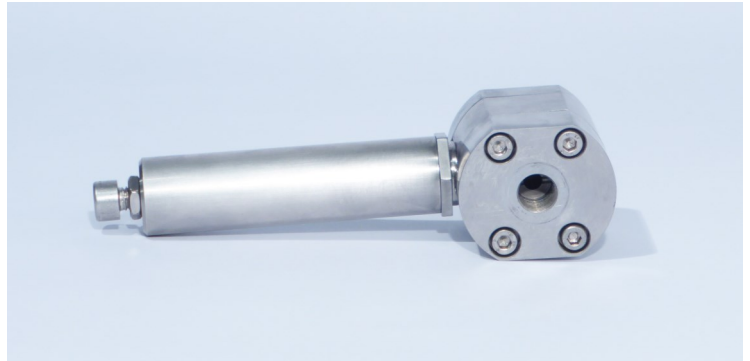


# JANUS CONTROL

## PRESSURE CONTROL VALVE

A patented range of valves that can control the pressure of corrosive fluids in hydraulic systems. Designed specifically for fluids with low viscosity the valves offers accurate control with high resistance to flow erosion experienced in pressure control applications. The valve fully conforms to the Pressure Equipment Directive and can include internal burst disc assemblies for safety applications.

SPECIFICATION	
Max Inlet Pressure	180 Bar
Operating Pressure Range	1 10 to 30 Bar 2 70 to 160 Bar 3 >160 bar 4 25 to 100 Bar
Flow Range	- DN3 0-10 L/min - DN6 0-30 L/min - DN12 0-120 L/min - DN16 0-450 L/min
Construction Materials	316 Stainless Steel Polymer or Ceramic
Media	Water



### Seals

Standard valves are supplied with Nitrile seals. Alternatives are available on request.

### Noise

The valve offers very low noise output even when relieving at high system pressures. The usual high pitch “squeal” associated with water relief valves is not generated with this range of valves.

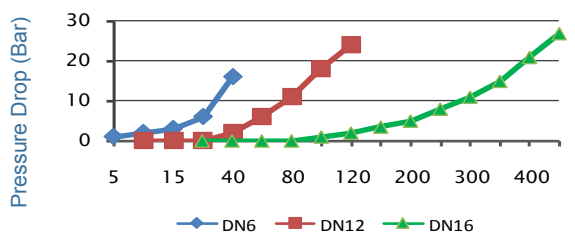
### Relief Setting

The operating pressure range must be specified on all orders. Not only the spring force varies with pressure but also the actuation piston is sized to give both accuracy and precision in low, medium and high pressure valves.

### Drip rate

The valves do not offer 100% seal below set pressure. A drip rate when operating at 75% of its set pressure will result.

### Flow Characteristics



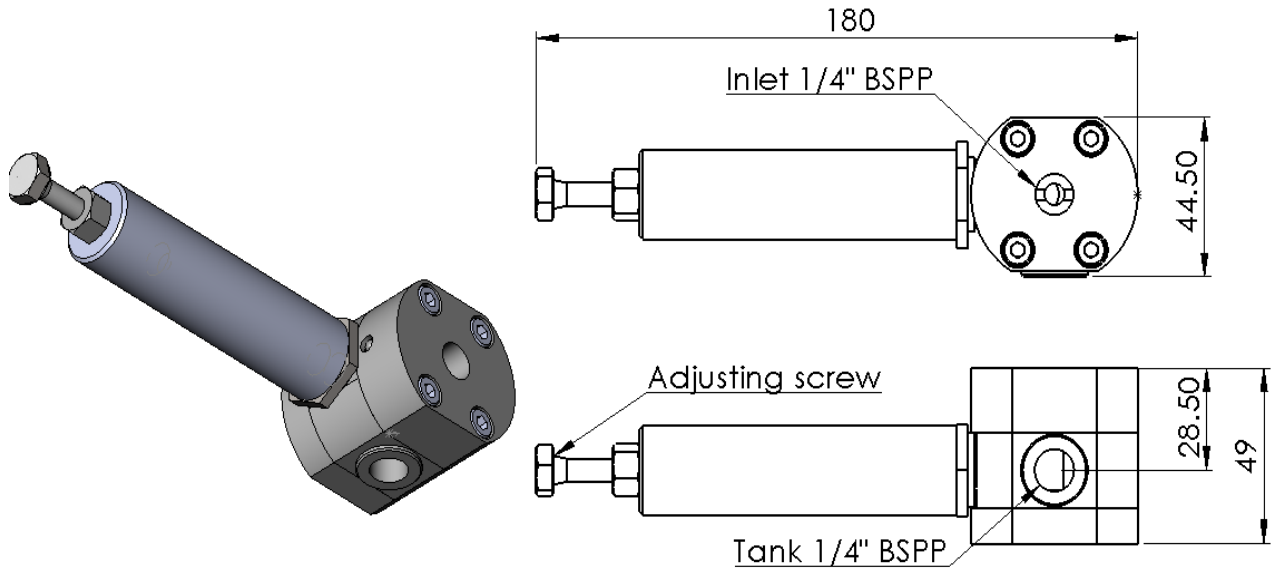
Variation between cracking and full flow pressure

ORDERING CODE	DN6	DN6 MANIFOLD	DN12	DN16
10-30 bar	107BXSW	1M07BXSW	107DXSW	107EXSW
25-100 bar	407BXSW	4M07BXSW	407DXSW	407EXSW
70-160 bar	207BXSW	2M07BXSW	207DXSW	207EXSW
> 160 bar	307BXSW	3M07BXSW	307DXSW	307EXSW

# JANUS CONTROL

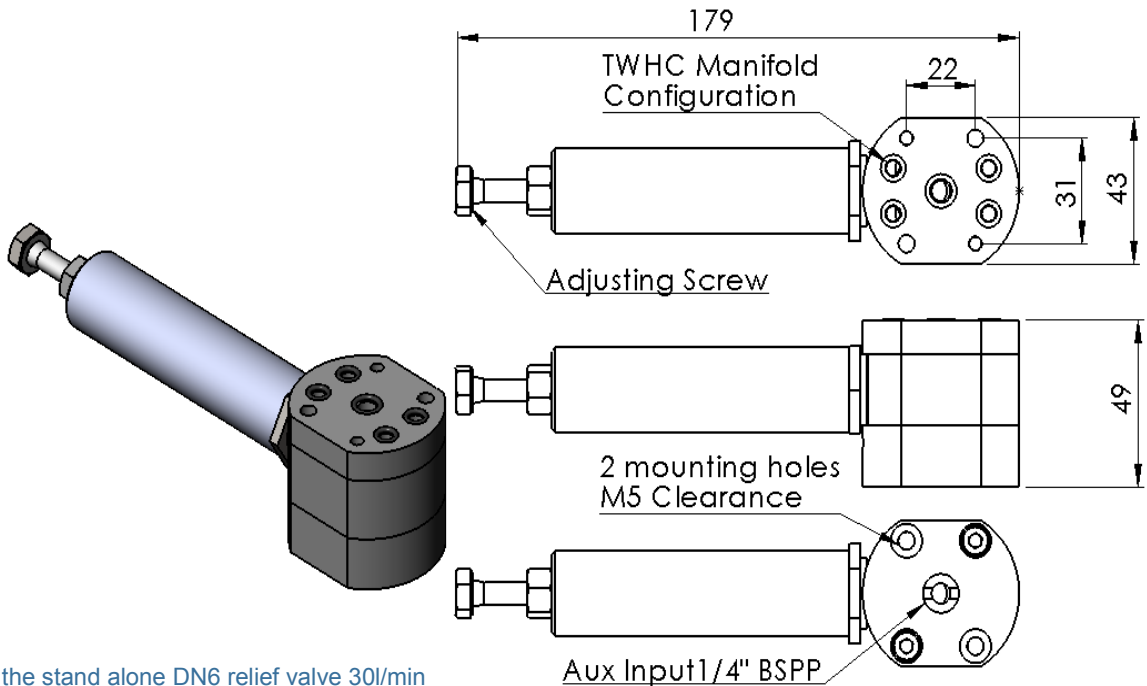
PRESSURE CONTROL VALVE

207BXS



Maximum flow on the stand alone DN6 relief valve 30l/min

2M07BXS

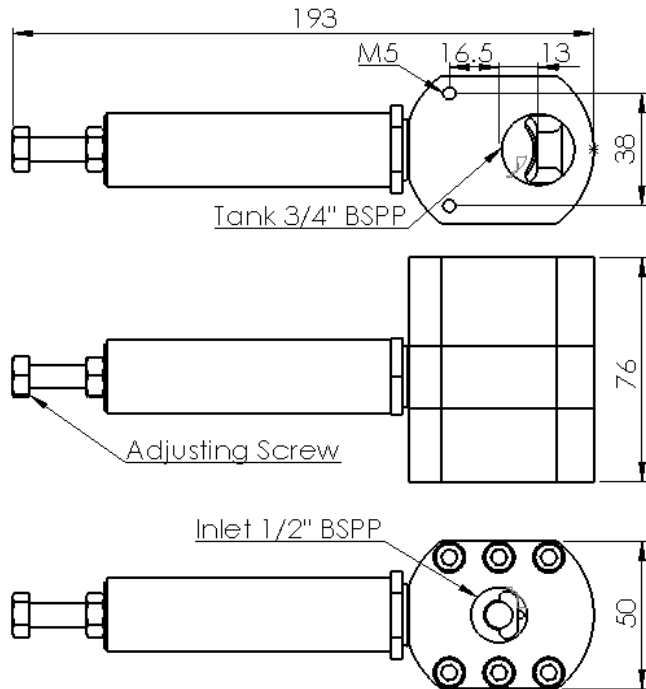
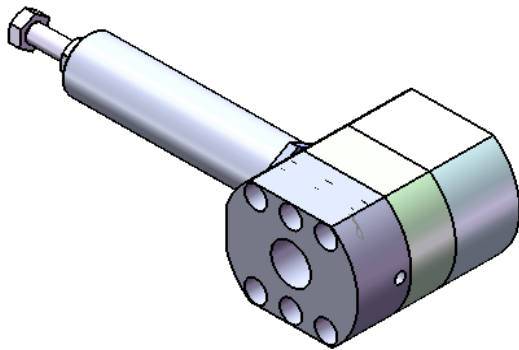


Maximum flow on the stand alone DN6 relief valve 30l/min

# JANUS CONTROL

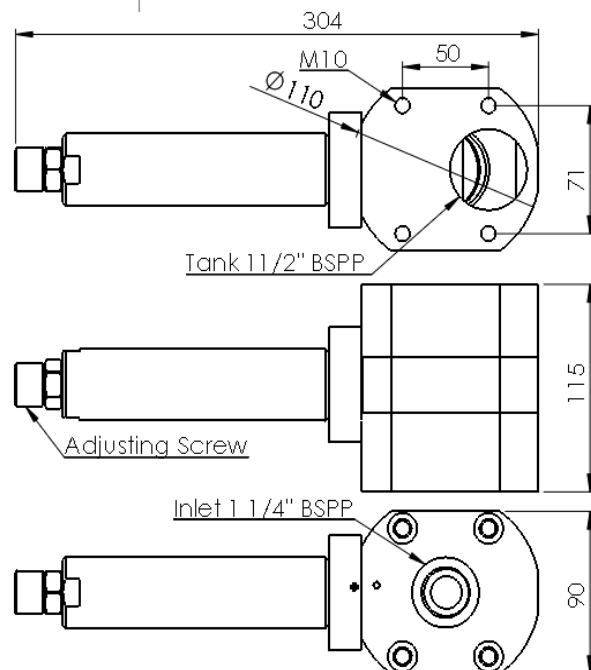
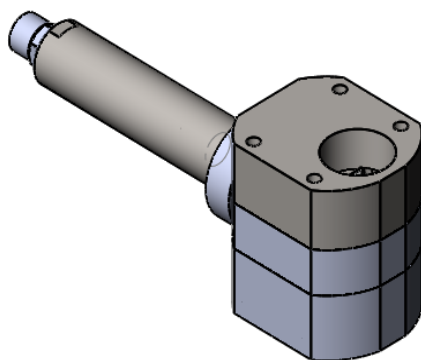
PRESSURE CONTROL VALVE

## 207DXSW



Maximum flow on the DN12 relief valve 110 l/min

## 207EXSW



Maximum flow on the DN16 relief valve 450 l/min

*The pressure control valves are not "Safety Accessories" as defined in the Pressure Equipment Directive 97/23/EC.*

The Water Hydraulics Co. Ltd.

Alexandra House, English Street, Hull, East Yorkshire, HU3 2DJ, United Kingdom.

Tel: +44 (0)1482 595000, E-Mail: sales@waterhydraulics.co.uk

England Website: www.waterhydraulics.co.uk



FM 87247