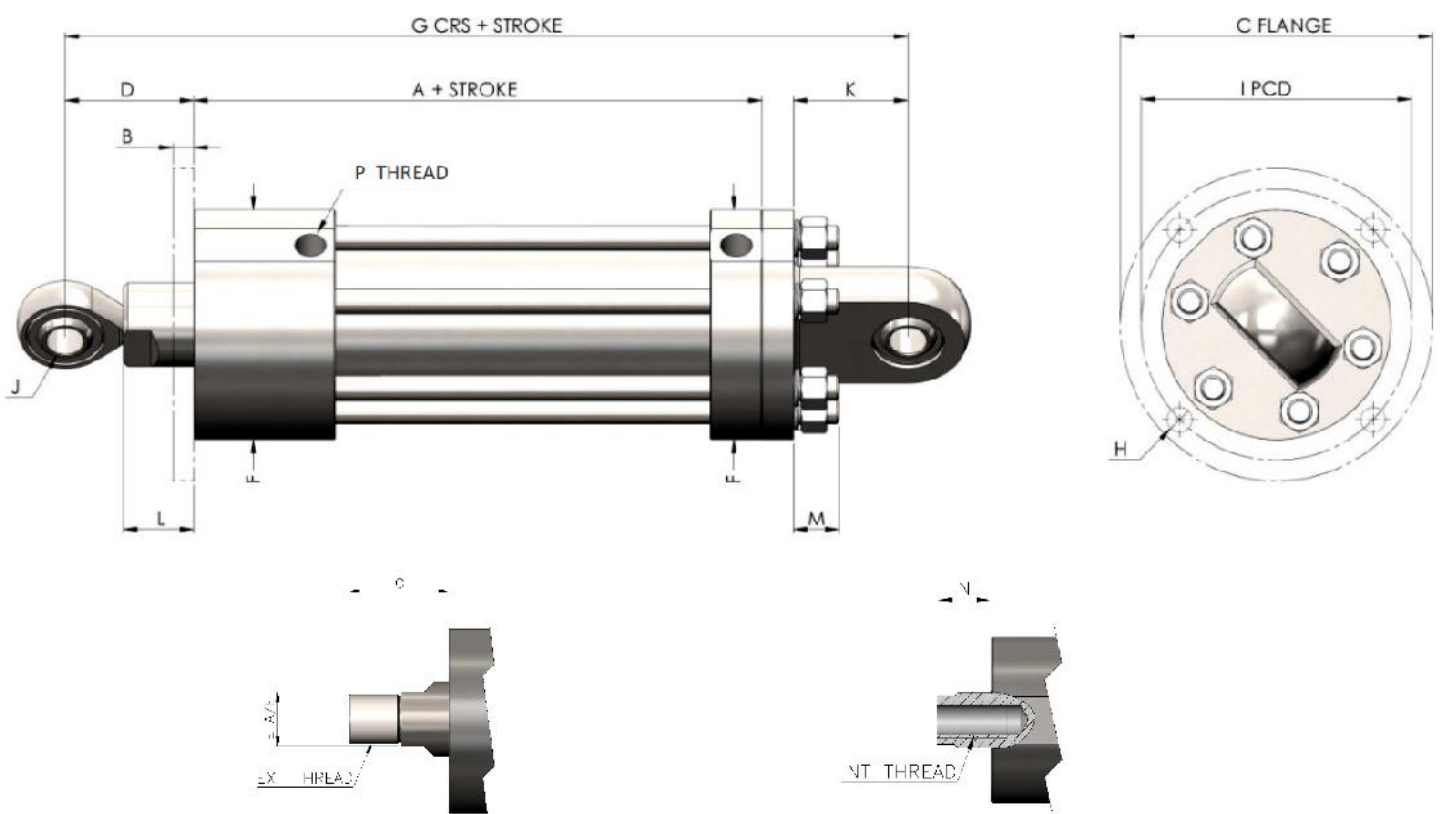


JANUS CYLINDERS DOUBLE AND SINGLE ACTING

Design

Based on a tie bar design the standard range of cylinders offers durable construction with a high degree of corrosion resistance. The cylinders can be supplied as single or double acting, with a maximum pressure of 160 barg and maximum speed of 0.7 m/sec. The standard cylinder construction is stainless steel with a high grade engineering polymer seal. An additional ceramic coating can be applied for extreme operating environments and duty cycles. The Janus cylinder design is simple and robust ensuring a long service life with low maintenance; offering a most cost effective solution. TWHC can offer special cylinders to suit customer applications or specifications. Please contact TWHC with your specific requirements.



JANUS CYLINDERS

DOUBLE AND SINGLE ACTING

NOMINAL	BORE		32		40	50		64		80	100		125
	ROD		16	20	25	25	30	30	40	50	60	80	80
ROD INTERNAL THREAD (SIZE x PITCH x LENGTH)		M8 X 1.25 x 16	M12 x 1.75 x 30	M16 x 2 x 32	M18 x 1.5 x 45	M20 x 1.5 x 45	M18 x 1.5 x 45	M24 x 2 x 40	M36 x 3 x 72	M36 x 3 x 72	M36 x 2 x 72	M36 x 2 X 72	
ROD EXTERNAL THREAD (SIZE x PITCH x LENGTH)		M12 x 1.75 x 25	M16 x 2 x 25	M22 x 1.5 x 25	M22 x 1.5 x 25	M24 x 3 x 30	M24 x 3 x 35	M33 x 3.5 x 35	M36 x 3 x 36	M36 x 3 x 36	M36 x 3 x 36	M36 x 3 x 36	
A		90	90	113	119.2	119.2	158.2	158.2	178	195	195	234	
B FLANGE WIDTH		11	11	15	15	15	15	15	21.5	25	30	30	
C Ø		85	85	112	130	130	160	160	196	230	230	325	
D NO FLANGE		42.9	33.9	52.7	50	54.3	43.8	72.8	88.5	89.5	79.5	79	
E A/F		13	17	22	22	27	25	36	42	55	75	75	
F Ø		60	60	75	92	92	110	110	125	160	160	215	
G CRS+ STROKE		156.9	156.9	209.7	219.2	223.5	272	287	333	359.5	349.5	387	
H Ø		8.5	8.5	10.5	10.5	10.5	11.5	11.5	13	16	16	22	
I PCD		73.5	73.5	92	110	110	135	135	156	190	190	280	
J Ø PLAIN		8	8	16	18	18	18	18	35	35	35	40	
K		25	25	37	50	50	55	55	51.5	60	60	80	
L PLAIN (WIDEST POINT)	ROD	15	21	22	20	20	29	29	36	40	40	40	
	BODY	15	21	22	20	20	29	29	36	40	40	40	
M STUD LENGTH		12.5	10.5	12	12	15.8	21.8	21.8	19	20.5	25.5	29	
N WITHOUT FLANGE		16.9	16.9	24.7	22	26.3	15.8	30.8	35.5	36.5	26.5	9	
O MALE WITHOUT FLANGE		30.9	30.9	34.7	47.3	52.3	65.8	65.8	71.5	72.5	62.5	45	
P BSP P		1/4"	1/4"	1/4"	1/4"	1/4"	3/8"	3/8"	1/2"	1/2"	1/2"	1/2"	
SPHERI- CAL BEAR- INGS	D NO FLANGE	42.9	33.9	52.7	50	54.3	43.8	72.8	88.5	89.5	79.5	79	
	G CRS + STROKE	156.9	156.9	209.7	219.2	223.5	272	287	333	359.5	349.5	387	
	J Ø	8	8	16	18	18	18	18	35	35	35	40	
	K	25	25	37	50	50	55	55	51.5	60	60	80	
	L (WIDEST)	ROD	12	12	21	21	23	23	23	43	43	43	49
BODY		12	12	21	23	23	25	25	43	43	43	49	

JANUS CYLINDERS

DOUBLE AND SINGLE ACTING

Assembly Ordering Codes:



BORE (mm)		MEDIUM		ACTION		ROD (mm)		ROD END		BODY MOUNTING		STROKE (mm)	
*		*		*		*		*		*		*	
032	Ø32	W	Tap Water	S	Single Acting	16	Ø16	M	Male Thread	B	Rear Flange	50 Min.	050
032	Ø32	S	Salt Water			F	Female Thread	F	Front Flange				
040	Ø40	T	Tech. Water	D	Double Acting	25	Ø25	U	Plain Bearing	U	Plain Bearing	1500 Max.	1000
050	Ø50	O	Other			25	Ø25	R	Spherical Bearing	R	Spherical Bearing		
050	Ø50					30	Ø30						
064	Ø64					30	Ø30						
064	Ø64					40	Ø40						
080	Ø80					50	Ø50						
100	Ø100					60	Ø60						
100	Ø100					80	Ø80						
125	Ø125					80	Ø80						



Example

Ø50 Bore, Ø25 Rod, 300 Stroke, Double Acting, Male threaded Rod end & Front Flange Mounted, to be used with tap water.

Ordering Code : **050 W D 25 M F 300**



Specials

Extended sizes from table shown

Double end

Proximity Sensors

Linear Transducers for positional feedback

Special Mounting for design integration

The Water Hydraulics Co. Ltd.

Alexandra House, English Street, Hull, East Yorkshire, HU3 2DJ, United Kingdom.

Tel: +44 (0)1482 595000, E-Mail: sales@waterhydraulics.co.uk.

England Website: www.waterhydraulics.co.uk



FM 87247