

MANUFACTURER
FOR
THE FILTER INDUSTRY
SINCE 1978

8900 & 9000 SERIES

Up To 250 PSI



Also, ask for the 3B Interchange Guide with over 100,000 interchange elements available.



4642 West 92nd Street
Oak Lawn, IL 60453
Phone (708) 636-6240
Toll Free 866-3BFILTERS (323-4583)
Fax (708) 636-6251
sales@3bfilters.com

HOW TO ORDER

EXAMPLE FILTER ASSEMBLY

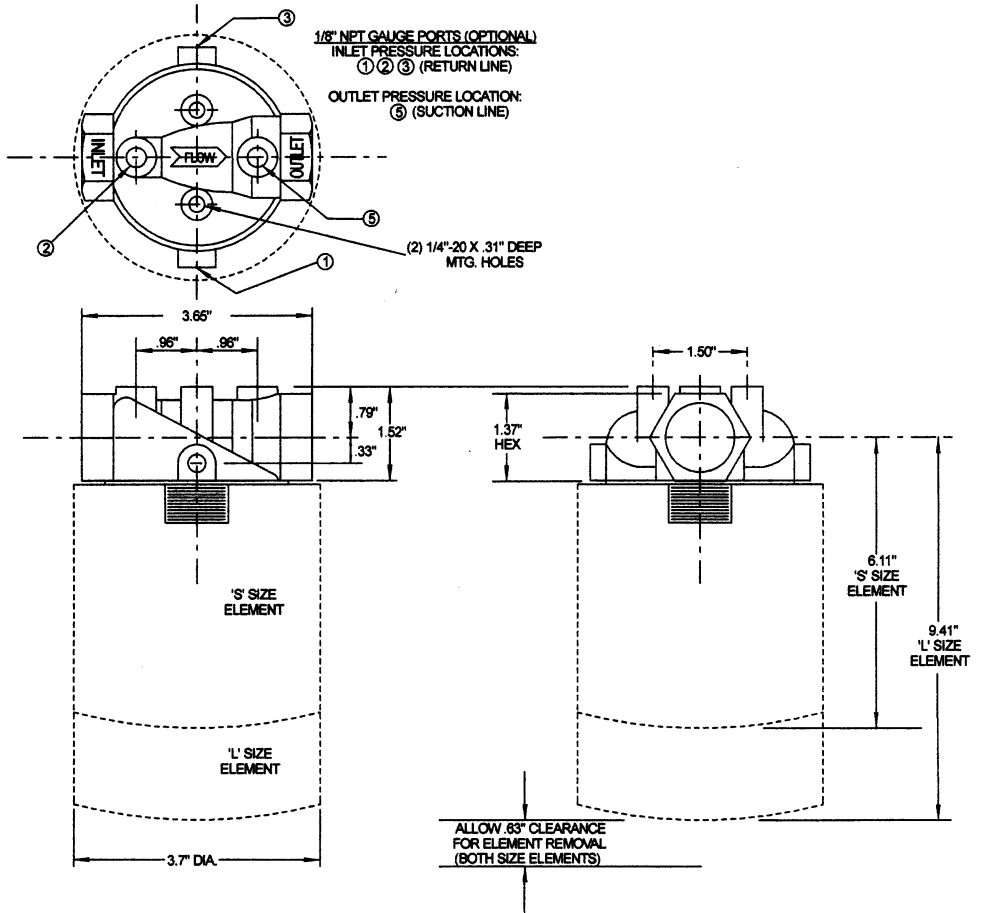
89	A	1	-	0	0	-10CL	V
	A	B	C	D	E	F	

EXAMPLE REPLACEMENT ELEMENT

89	E	10CL	V
	A	E	F

EXAMPLE HEAD ONLY

89	H	1	-	0	0
	A	B	C	D	



A

CODE	DESCRIPTION
A	Filter Assembly
E	Element Only
H	Head Only

B

CODE	PORT SIZE
1	1/2" - NPT
2	3/4" - NPT
3	1" - NPT
4	1/2" - SAE
5	3/4" - SAE
6	1" - SAE

C

CODE	BY-PASS SETTING
0	No-Bypass
1	3-PSI
2	5-PSI
3	15-PSI
4	25-PSI
5	50-PSI

D

CODE	DESCRIPTION
0	No Gage Ports
1	Inlet
2	Inlet
3	Inlet
5	Outlet

E

CODE	ELEMENT DESCRIPTION
3CS	3-Mic. Cellulose
3CL	3-Mic. Cellulose
3MS	3-Mic. Abs. Micro Glass
3ML	3-Mic. Abs. Micro Glass
10CS	10-Mic. Cellulose
10CL	10-Mic. Cellulose
10CWS	10-Mic. Cellulose Water Absorbing
10CWL	10-Mic. Cellulose Water Absorbing
12MS	12-Mic. Abs. Micro Glass
12ML	12-Mic. Abs. Micro Glass
25CS	25-Mic. Cellulose
25CL	25-Mic. Cellulose
25MS	25-Mic. Abs. Micro Glass
25ML	25-Mic. Abs. Micro Glass
141SS	100-Mesh Stainless
141SL	100-Mesh Stainless

F

CODE	SEAL SELECTION
Omit	Nitrile
E	EPR
V	Viton

MATERIALS

(Head) Cast Aluminum
(Element) Drawn Steel

Recommended Working Pressure:
250 psig

Rated Flow:
Up to 37 GPM

Temperature:
-65° to +250°F. Operating

Applications:
Petroleum based fluids only.
Consult factory for synthetic fluids.

HOW TO ORDER

EXAMPLE FILTER ASSEMBLY

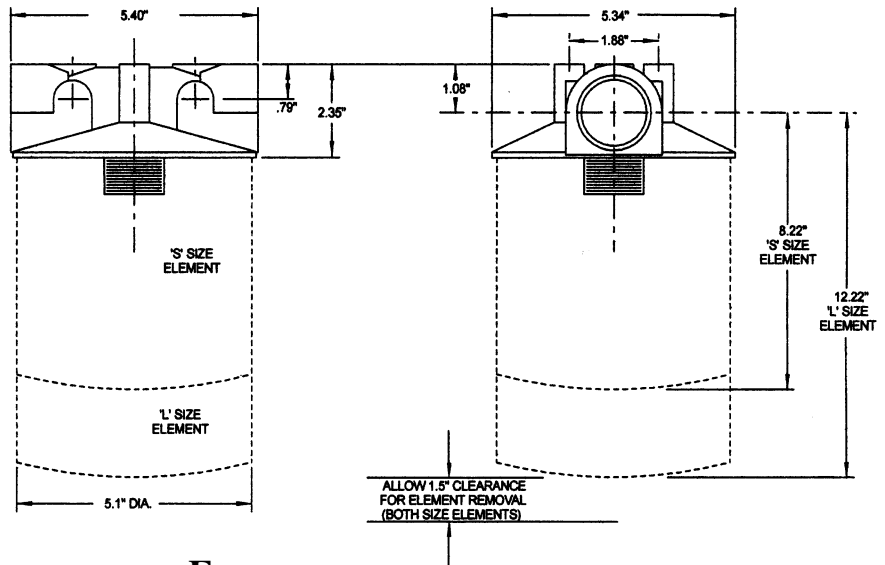
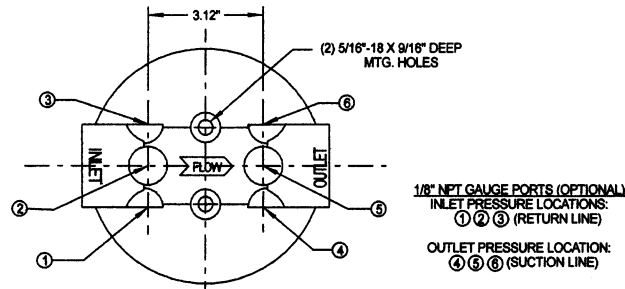
90	A	1	-	4	25	-	3ML	E
	A	B	C	D	E	F		

EXAMPLE REPLACEMENT ELEMENT

90	E	3ML	E
	A	E	F

EXAMPLE HEAD ONLY

90	H	1	-	4	25
	A	B	C	D	



A

CODE	DESCRIPTION
A	Filter Assembly
E	Element Only
G	316 Head Only
H	Head Only

B

CODE	PORT SIZE
1	1" - NPT
2	1-1/4" - NPT
3	1-1/2" - NPT
4	1" - SAE
5	1-1/4" - SAE
6	1-1/2" - SAE

C

CODE	BY-PASS SETTING
0	No-Bypass
1	3-PSI
2	5-PSI
3	15-PSI
4	25-PSI
5	50-PSI

D

CODE	DESCRIPTION
0	No Gage Ports
1	Inlet
2	Inlet
3	Inlet
4	Outlet
5	Outlet
6	Outlet

E

CODE	ELEMENT DESCRIPTION
1MS	1-Mic. Abs. Micro Glass
1ML	1-Mic. Abs. Micro Glass
3CS	3-Mic. Cellulose
3CL	3-Mic. Cellulose
3MS	3-Mic. Abs. Micro Glass
3ML	3-Mic. Abs. Micro Glass
6MS	6-Mic. Abs. Micro Glass
6ML	6-Mic. Abs. Micro Glass
10CS	10-Mic. Cellulose
10CL	10-Mic. Cellulose
10CWS	10-Mic. Cellulose Water Absorbing
10CWL	10-Mic. Cellulose Water Absorbing
12MS	12-Mic. Abs. Micro Glass
12ML	12-Mic. Abs. Micro Glass
25CS	25-Mic. Cellulose
25CL	25-Mic. Cellulose
25MS	25-Mic. Abs. Micro Glass
25ML	25-Mic. Abs. Micro Glass
141SS	100-Mesh Stainless
141SL	100-Mesh Stainless

F

CODE	SEAL SELECTION
Omit	Nitrile
E	EPR
V	Viton

MATERIALS

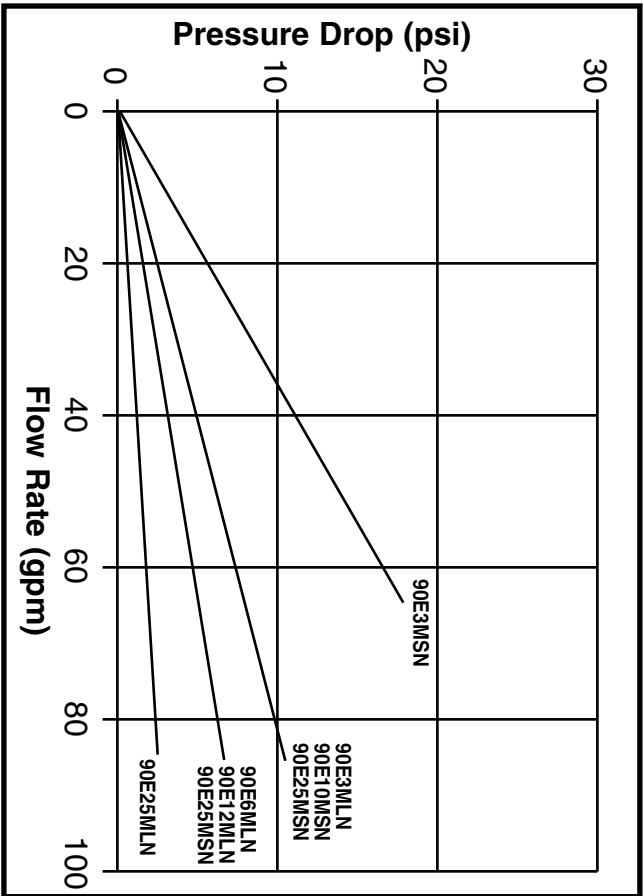
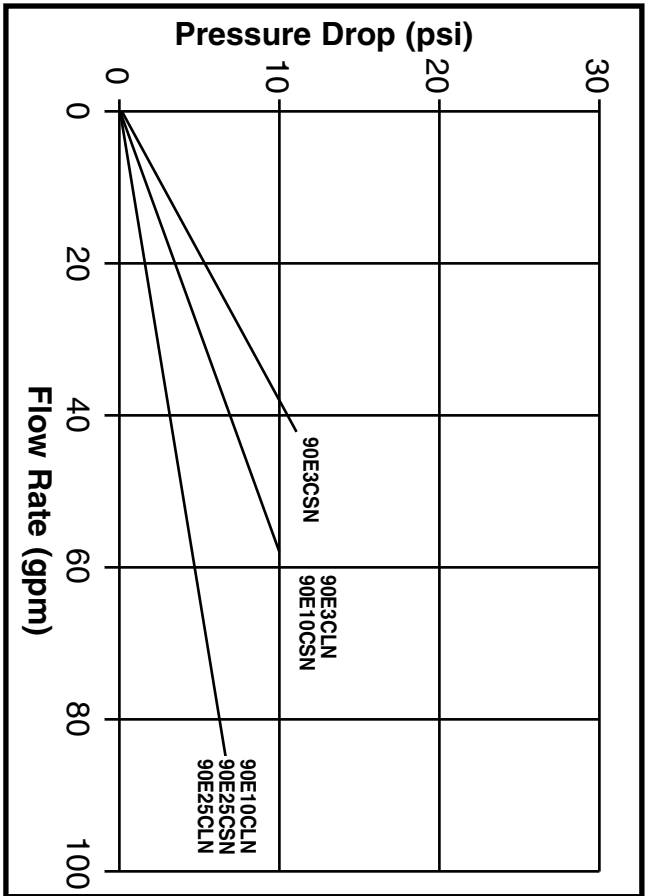
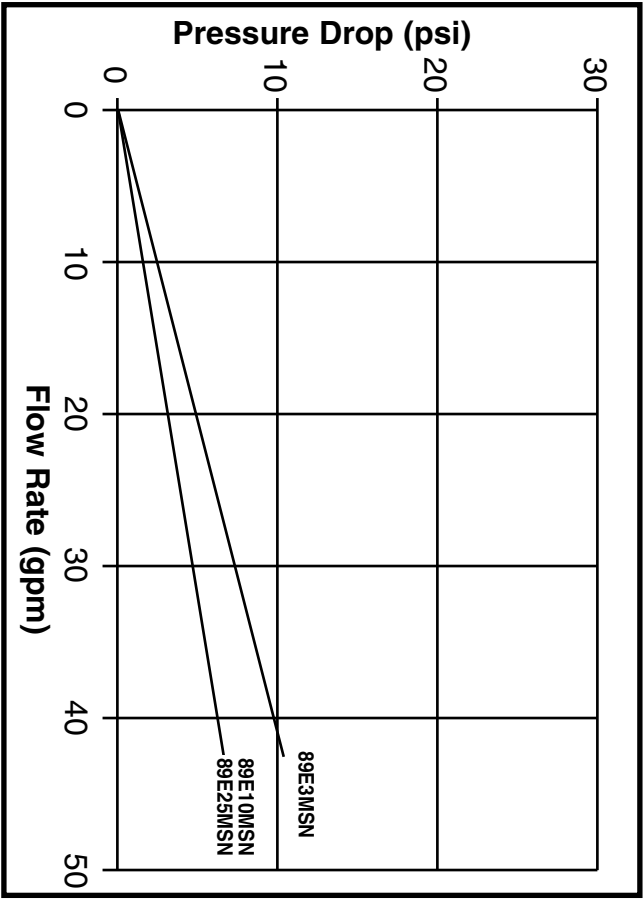
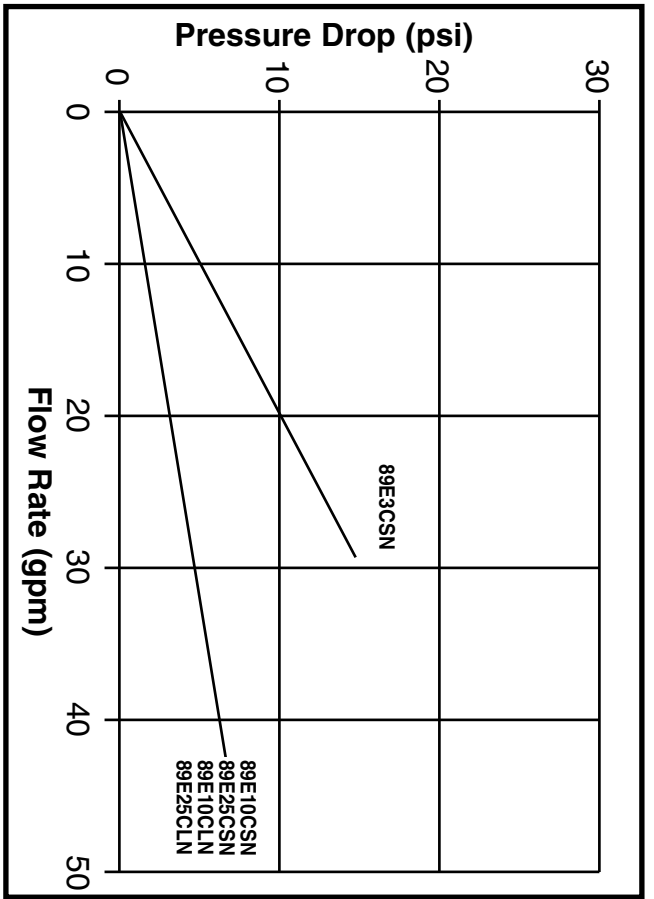
(Head) Cast Aluminum
(Element) Drawn Steel

Recommended Working Pressure:
200 psig

Rated Flow:
Up to 70 GPM (return)
25 GPM (suction)

Temperature:
-65° to +250°F. Operating

Applications:
Petroleum based fluids only.
Consult factory for synthetic fluids.



150 SUS (32 cSt)
Specific Gravity (0.9)



4642 West 92nd Street
Oak Lawn, IL 60453
Phone (708) 636-6240
Toll Free 866-3BFILTERS (323-4583)
Fax (708) 636-6251
sales@3bfilters.com