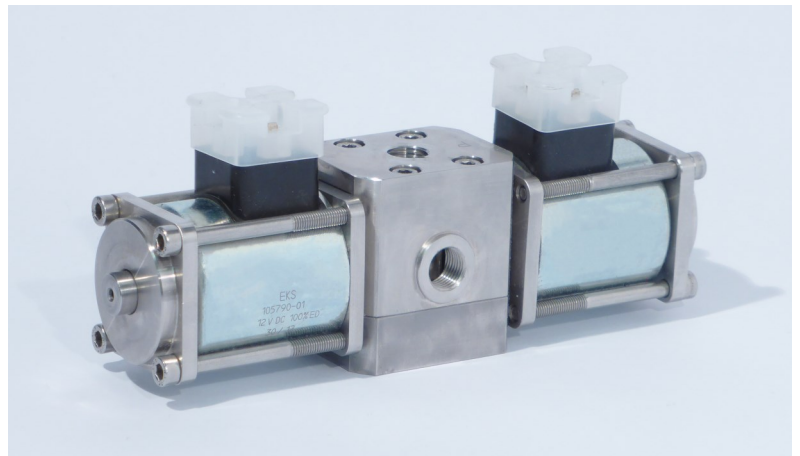


JANUS CONTROL VALVES

4 PORT 3 POSITION DIRECTIONAL FLOW CONTROL VALVE

A patented range of valves which control the directional flow of corrosive fluids in hydraulic systems. Designed For operation on tap water to EU directive 98/83/EC. The valves offer high efficiency with minimal energy input for actuation. Also available in 4/2 & 3/2 control functions; please see data sheet for further information. Various porting configurations including stand alone (BSPP), TWHC manifold or Cetop 3 are available. Please see manifolds data sheet for options and cavity details.

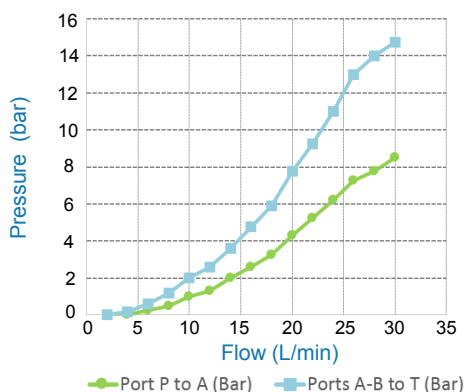
SPECIFICATION	
Max Inlet Pressure	200 Bar
Operating Pressure Range	0 to 160 Bar
Flow Range	0-30 L/min
Flow Characteristics	Cv Rate 0.62 Kv Rate 0.75
Feed Gallery Diameter	6mm
Porting	1/4" BSP (Parallel)
Construction Materials	A.I.S.I 316/Polymer
Solenoid Operation	24V DC
Media	Water
Electrical Connections	Spade or Hirschmann



PWM Circuit

For solenoid actuation above 20 bar, actuation card (part number: 004-010) must be used. This minimises the electrical power consumption whilst at the same time maximising the actuation force of the solenoid. For power requirement and wiring instructions please see actuation card data sheet.

Flow Characteristics





Actuation

Solenoid actuation has a manual over ride as standard. Actuation options available are hand, detent, air pilot, water pilot and oil pilot. We also offer a combination of actuation and return; please contact TWHC for further information.

Centre Position

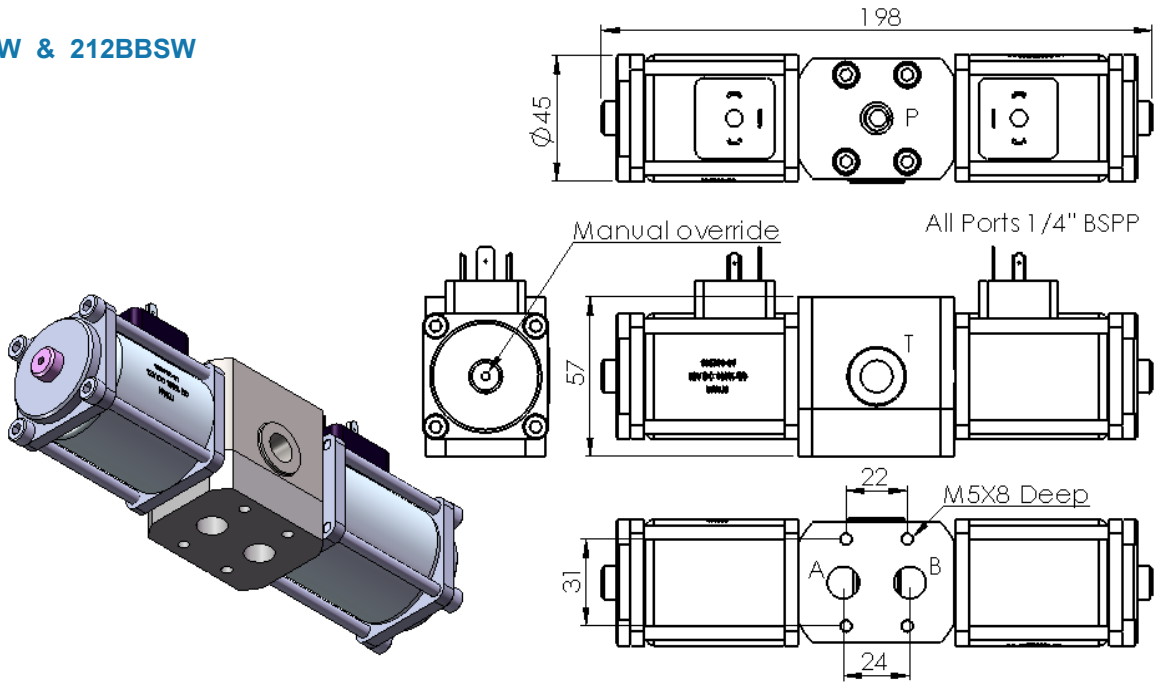
A full all ports blocked at the centre position is not possible with this size of valve. The valves are not offered for 100% seal performance. If load holding or leak free performance is required then the use of a PO Check valve to mount directly onto the A & B port face is advised.

ORDERING CODES	STANDARD BUILD	MANIFOLD MOUNT	CETOP MOUNT
 Centre Position Closed P AB&T connected	206BBSW	2M06BBSW	2C06BBSW
 Centre Position All Ports connected	212BBSW	2M12BBSW	2C12BBSW

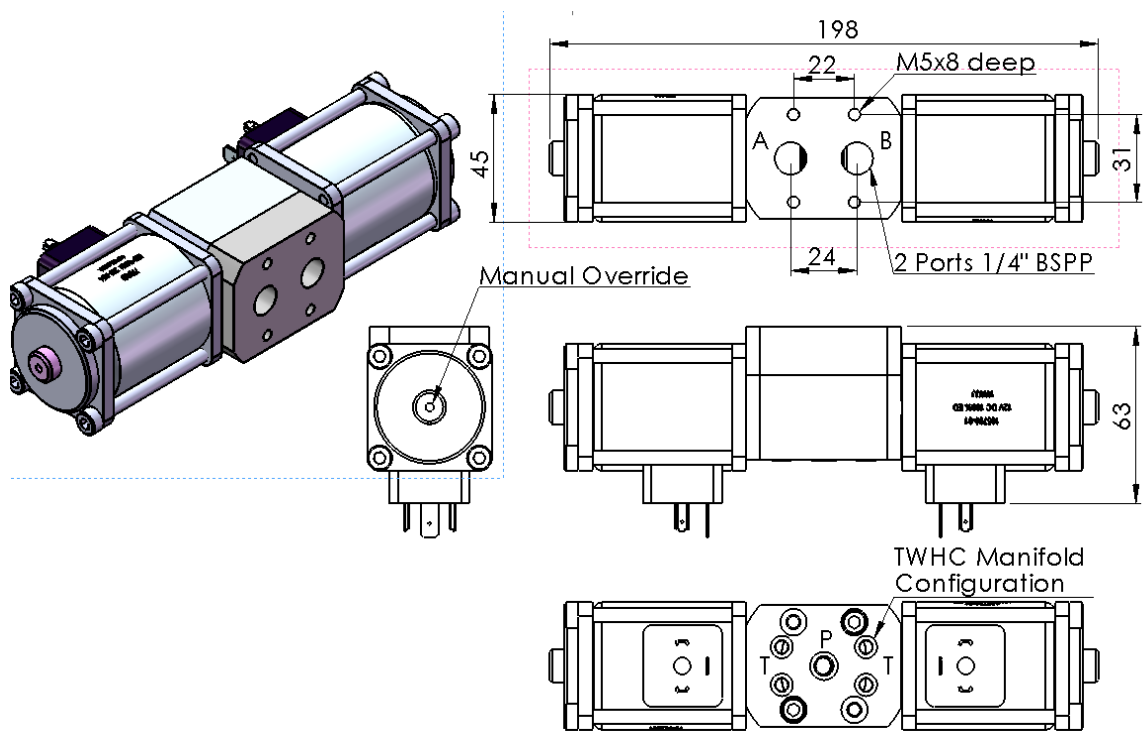
JANUS CONTROL VALVES

4 PORT 3 POSITION DIRECTIONAL
 FLOW CONTROL VALVE

206BBSW & 212BBSW



2M06BBSW & 2M12BBSW



JANUS CONTROL VALVES

4 PORT 3 POSITION DIRECTIONAL
FLOW CONTROL VALVE

2C06BBSW & 2C12BBSW

