

JANUS CONTROL VALVE 2/2 DIRECTIONAL VALVE

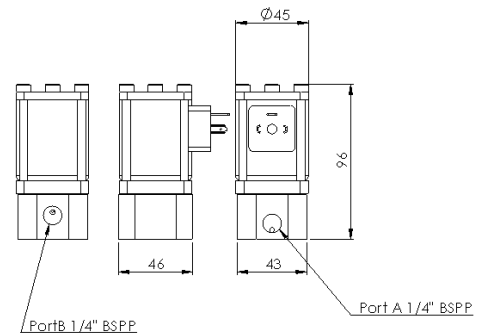
Design

Available in both normally open and normally closed configuration, the 2/2 valve is supplied as a cartridge design and therefore can be arranged to offer multiple functions from a single block; reducing cost on expensive fittings and pipe work. Please contact TWHC for manifold options or cavity details.

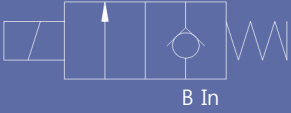
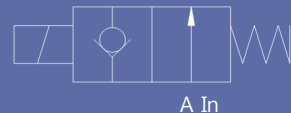
The wet pin design solenoid actuator has no dynamic sealing and therefore produces adequate force to directly actuate the valve with an orifice size of 2.5mm up to a maximum working pressure of 160 bar. For lower actuation pressures, the diameter of the flow gallery can be increased to deliver a much greater cross section of flow path for higher flow conditions.

For higher flow capacity, please see data sheet for the 2/2 pilot valves.

SPECIFICATION	
Max Inlet Pressure	200 Bar
Operating Pressure Range	8 to 160 Bar
Flow Range	0-10 L/min
Flow Characteristics	Cv Rate 0.15 Kv Rate 0.13
Feed Gallery Diameter	2.5mm
Porting	1/4" BSP (Parallel)
Construction Materials	A.I.S.I 316/Polymer
Solenoid Operation	12 & 24V DC
Media	Water Filtered to 25µm
Temperature Range	1 to 50°C



Note: Porting orientation changes with spring condition

ORDERING CODES	SPRING POSITIONS	12V DC	24V DC
 B In	N/C	226AASW	226AOSW
 A In	N/O	221AASW	221AOSW